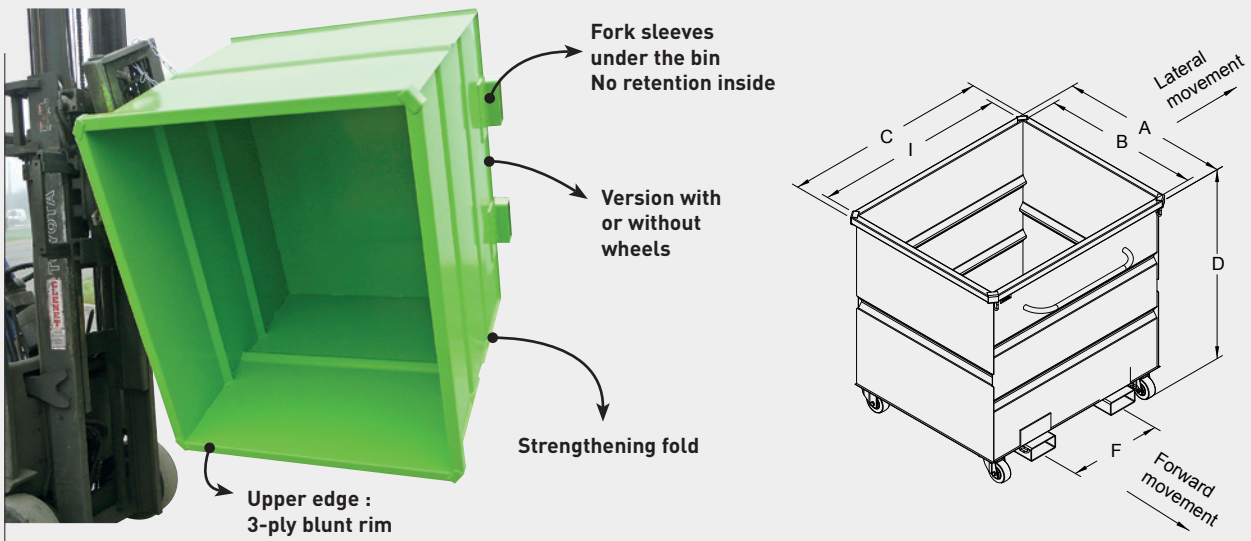


# SKIP FOR FORKLIFT WITH ROTATING HEAD



Complete emptying by inversion.  
Low-cost.  
Stackable.



## CHARACTERISTICS

- Capacity : 500 to 2000 litres
- Bin : 2 mm sheet metal with reinforcing ribs
- Fork sleeves aperture 170 x 70 mm and spacing (F) can be modified on request
- Pedestal-mounted models can be used with pallet trucks (between fork sleeves)
- Castor-mounted models have 2 fixed and 2 pivoting Ø125 mm alu/polyurethane castors and a handrail
- Safety chain included
- For customised products, please contact us

Capacity litres	Load kg	Castors Ø	Movement	A	B	C	I	D	F	Weight kg	Painted ref.
500	1500	-	-	890	775	1285	1200	635	740	97	BRP05000
500	1200	125	Fr	960	775	1285	1200	710	500	110	BRP05121
1000	1500	-	-	890	775	1285	1200	1175	740	130	BRP10000
1000	1200	125	Fr	960	775	1285	1200	1245	500	145	BRP10121
1250	1500	-	-	1100	975	1285	1200	1170	740	150	BRP12000
1250	1200	125	Fr	1160	975	1285	1200	1240	500	165	BRP12121
1500	1500	-	-	1100	975	1560	1475	1140	740	164	BRP15000
1500	1200	125	La	1100	975	1650	1475	1210	740	178	BRP15121
2000	1500	-	-	1100	975	1560	1475	1485	740	190	BRP20000
2000	1200	125	La	1100	975	1650	1475	1560	740	207	BRP20121

Dimensions in mm for basic model (for guidance only).

# OPTIONS AND FUNCTIONS OF USE

4 sides fork sleeves  
and hinged lid



Trailer drawbar



Optional  
guide  
stirrup for  
stacking

DECHETBANAL

DECHETBANAL

Special "roof" lid for forks



Galvanized version with lid



BIO 2

Lid with aluminum  
roller shutter



Special version with lifting  
lugs and a half door

